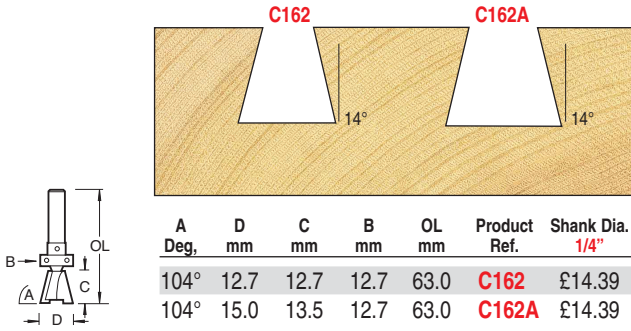
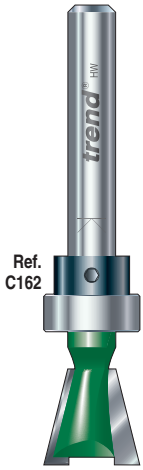


Shank Mounted Bearing Guided Dovetail

These cutters are for use with the Nutool and Axminster Power Tool Centre Dovetail Jigs.



CDJ Dovetail Jigs

See page 140 for full details.

Ref. **CDJ300** & **CDJ600**

NEW

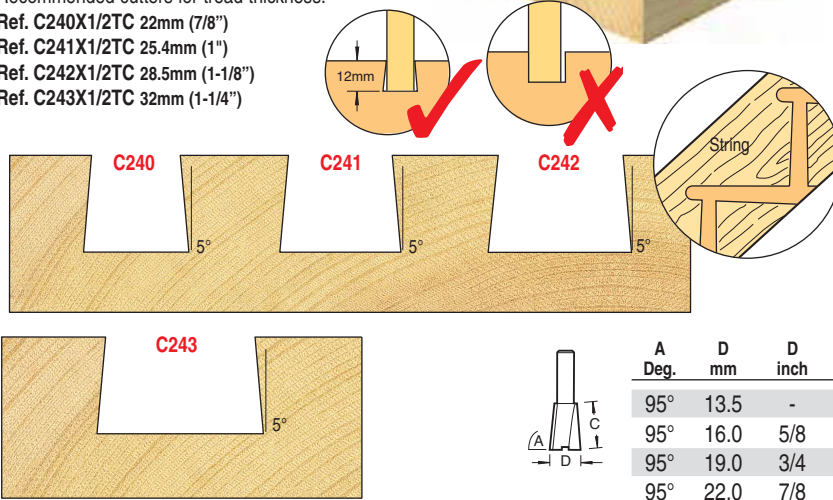
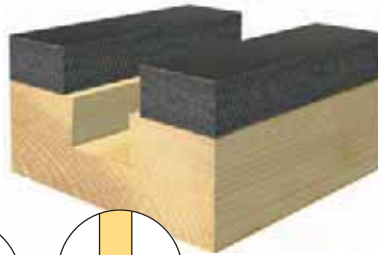
Stair Housing Dovetail Cutters

Purpose made for stair housing routing jigs. Ensures tight fit of tread in string.

Trend Stair Jig Ref. STAIR/A

Recommended cutters for tread thickness:

- Ref. C240X1/2TC 22mm (7/8")
- Ref. C241X1/2TC 25.4mm (1")
- Ref. C242X1/2TC 28.5mm (1-1/8")
- Ref. C243X1/2TC 32mm (1-1/4")



Stair Jigs

See page 144 for full details.

Ref. **STAIR/A**
Ref. **STAIR/B**

TCT ROUTER DRILLING

Router Dowel Drills

Lip and spur dowel drills for use with the Trend Craft Dovetail Jig dowelling template. Ref. C174 can be used with the Trend Shelf Support Template. Refs. C175, C176 & C177 can be used for 6, 8 & 10mm dowels.



Ref. C175



Shelf Supports

See page 144 for full details.

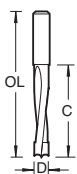
Ref. **SS/B5/12** etc.



Dowels

See page 170 for full details.

Ref. **DWL/** etc.

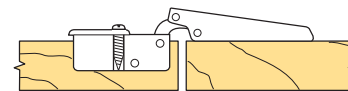
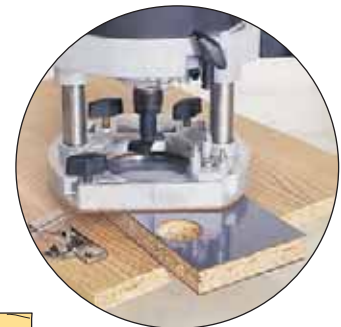


D mm	C mm	OL mm	Product Ref.	Shank Dia. 1/4"	Shank Dia. 8mm
3.0	14.0	57.0	C180	£22.68	£22.68
4.0	35.0	57.0	C222	£12.71	-
5.0	35.0	57.0	C174	£13.23	£13.23
6.0	35.0	70.0	C175	£14.39	£14.39
8.0	35.0	70.0	C176	£15.44	£15.44
10.0	35.0	70.0	C177	£16.60	£16.59

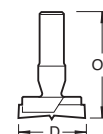
NEW

Router Hinge Bit

- This machine bit has a specially designed form of scriber to allow use at high speeds.
- For recessing circular hinges.
- For accurate repetitive routing, a template and guide bush fitted to the router base should be used.



1,000 - 20,000



D mm	OL mm	Product Ref.	Shank Dia. 1/2"
35.0	60.0	C250	£36.75